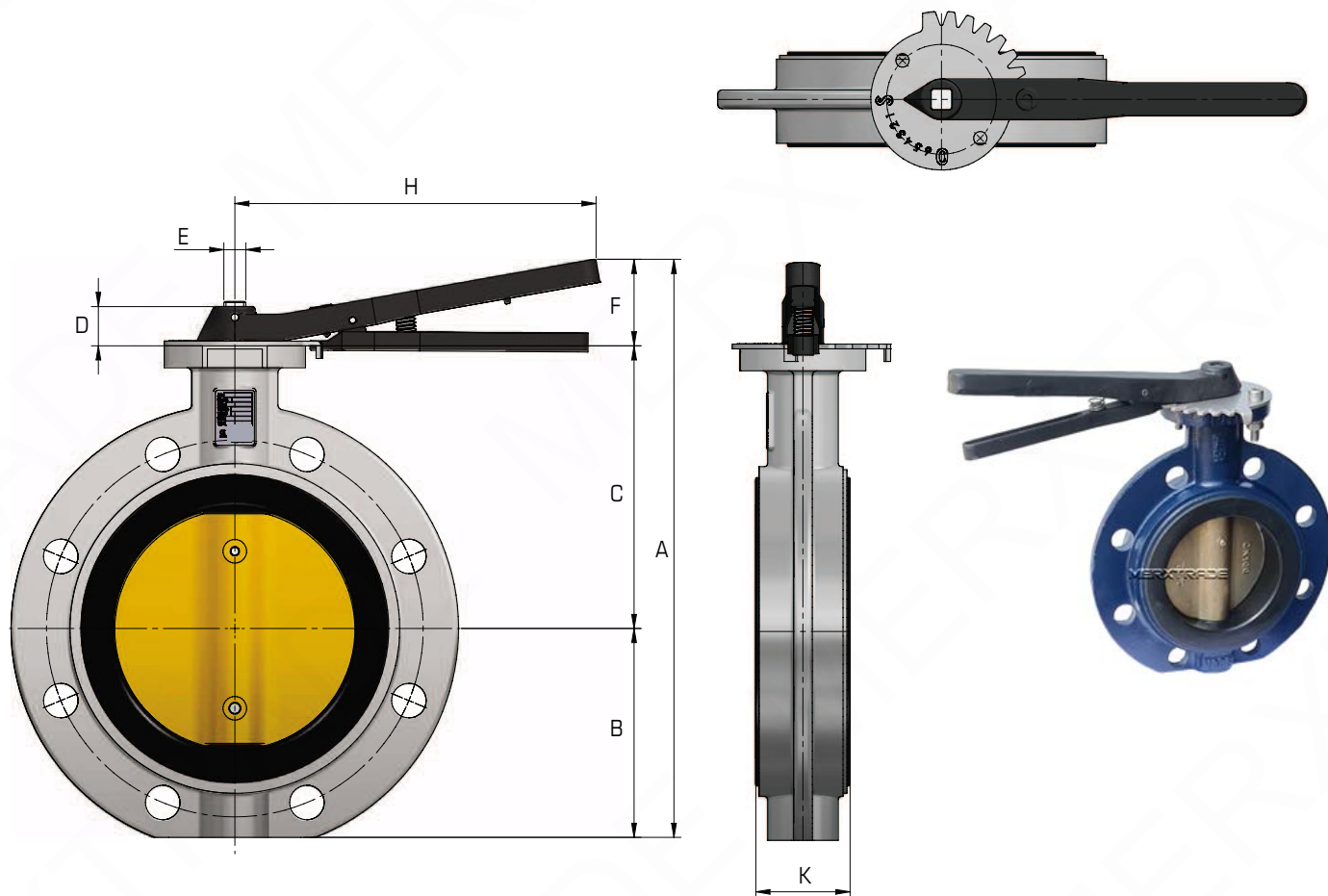


# Mono flange butterfly valve with lever



**Standard available materials:**

Body	Disc	Shaft	Seat
EN-JS1030	BS1400 AB2	SS 1.4122	NBR
A216 WCB	EN-JS1030	SS 431	EPDM
SS 1.4408	SS 1.4408	SS 1.4462	Viton
BS1400 AB2	SD 2507	SD F53	Silicone

butterfly valve with handlever Series 2. Lever material ductile iron EN-JS1030 with stainless steel notch plate, and stainless steel fasteners.

- DN40 - DN100 :Handlever-2-11
- DN125-DN150 :Handlever-2-14
- DN200 :Handlever-2-17
- DN250-DN300 :Handlever-2-22

DN	A	B	C	D	E	F	H	K	Weight ± kg
40	232	61	113	25	11	58	232	33	3,45
50	243	67	118	25	11	58	232	43	3,75
65	258	74	126	25	11	58	232	46	4,75
80	273	82	133	25	11	58	232	46	4,95
100	305	100	147	25	11	58	232	52	6,85
125	341	112	160	28	14	69	330	56	9,55
150	383	134	180	28	14	69	330	56	11,55
200	432	159	204	28	17	69	330	60	16,25
250	521	195	245	30	22	81	400	68	27,8
300	571	220	270	30	22	81	400	78	35,6